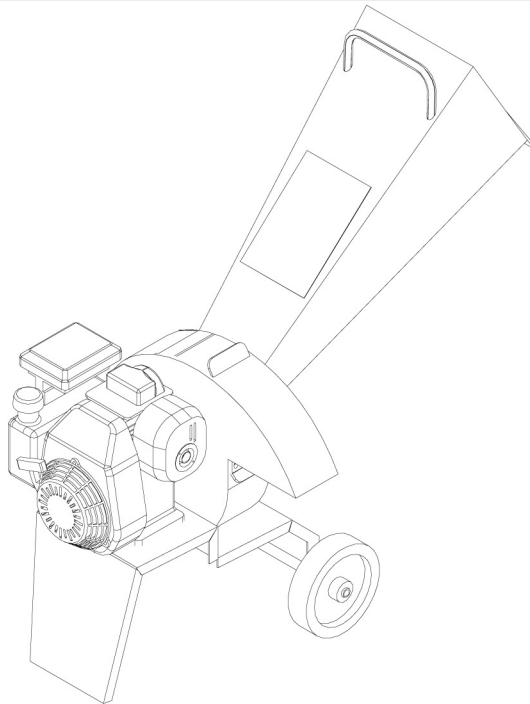


BIO 50



- Elettrico / Electric 3 HP / 2,2 KW 220 V
- Benzina / Petrol 5 HP / 3,7 KW Honda GC 160
- Rotore a 6 lame reversibili / Rotor with 6 reversible hammers
- Lama e controlama / Blade and counter blade
- Crivello autopulente / Self-cleaning screen
- Sacco per la raccolta del macinato / Bag for shredder product
- 2 ruote per spostamento / 2 wheels
- Produzione / Production 2÷4 m³ / h

Potenza HP		Lame N°	C/lame N°	Martelli N°	Ø Triturabile	Ø Cippabile	Peso Kg	Dimensioni cm			Imballo cm		
Elet.	Ben.							Lar	Lun	Alt	Lar	Lun	Alt
3	5	1	1	6	-	4	55	61	120	103	66	66	98
Ele.	Pet.	No. Blades	No. C/blades	No. Hammers	Ø Triturable	Ø To be cut	Kg Weight	cm Dimensions			cm Packing		
								Bre	Len	Hig	Bre	Len	Hig

瑋洲企業有限公司

80647 台灣高雄市前鎮區武德街135巷24號

Tel:886-7-7169249 Fax:886-7-2134620

E-mail:agri-machine@weizhou.com.tw